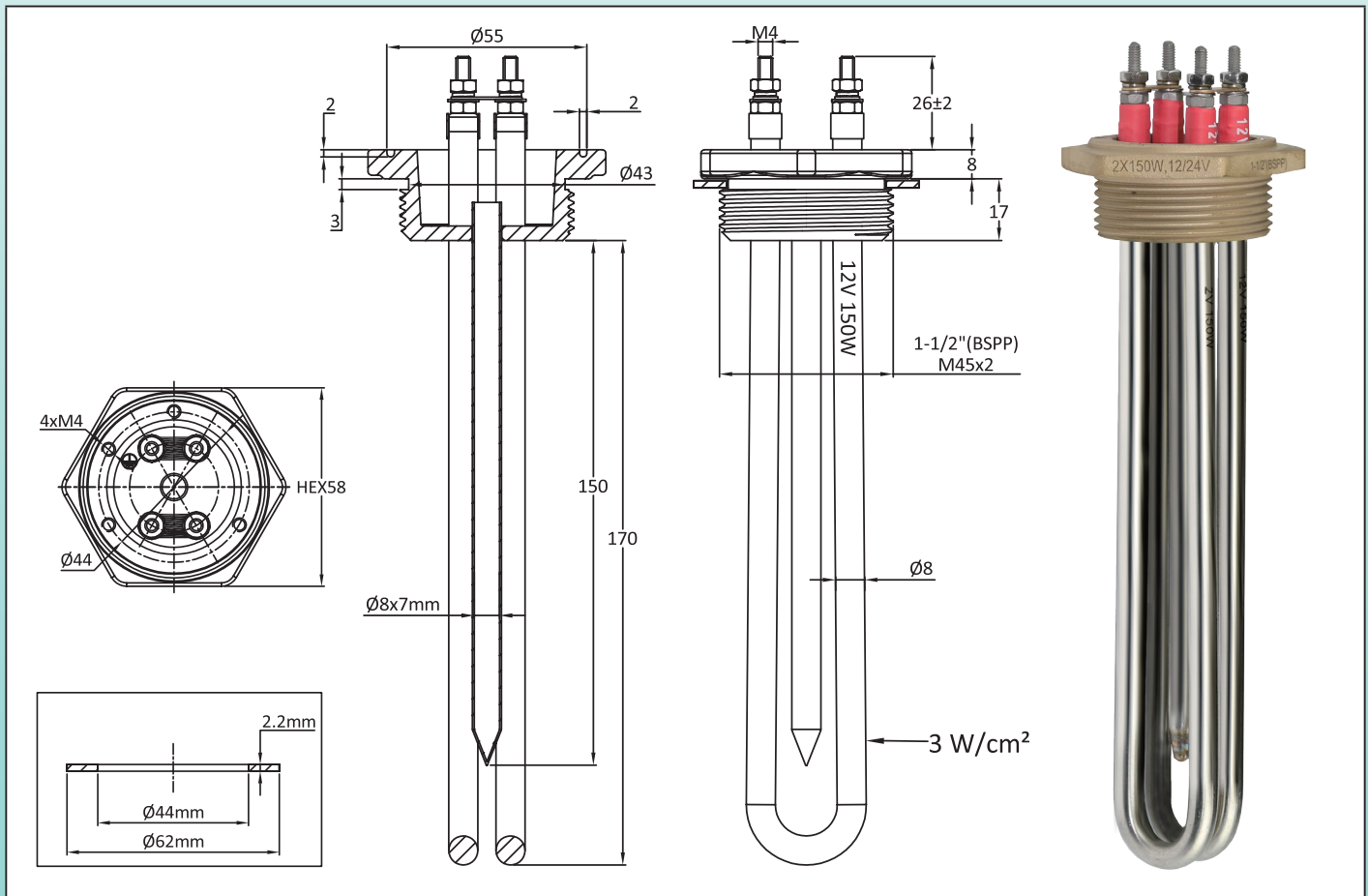


## Renewable energy immersion heaters (addition to catalogue 22)

### Renewable energy 1"1/2 and M45x2 immersion heaters, 12 and 24 V power supply, **without connection box**

Main Voltage	Low voltage Power	Auxiliary voltage	Auxiliary power	Enclosure	Threads	Type
12V, 24V	2 x 150W or 2 x 300W	Without	Without	Without	1"1/2 or M45x2	9SFT200 and 9SFT500



**Main application:** direct use of low voltage electricity produced by wind turbines or photovoltaic solar panels, for heating liquids, domestic hot water circuits, hot water tanks. These immersion heaters make it possible to use the surplus energy produced, and not used by domestic lighting needs or small electrical appliances. They can also be used in addition to domestic hot water tanks, limiting the need for electricity from the distribution network.

**Heater tube material:** dia. 8mm heating elements in AISI 304 (AISI 316; AISI 321; Incolloy 800 or Incolloy 840 on request).

**Fitting material:** Brass, brazed on tubes. Supplied with one fiber gasket but without nut. See accessories below.

**Thread:** 1"1/2 BSPP (ISO 228) and metric thread M45x2

**Thermowell:** Includes one stainless steel thermowell 7mm ID.

**Heating elements connections:** Terminals with M4 stainless steel screw, nut and stainless steel washer. Supplied with brass straps for switching the two low voltage heaters from 12V to 24V. (Changing their connection from parallel to serial).

**Not heating immersed zone:** 50mm.

**Surface load:** see drawings

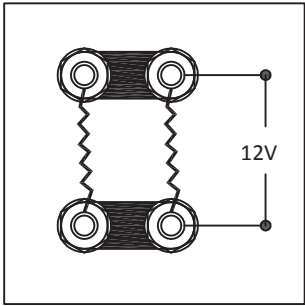
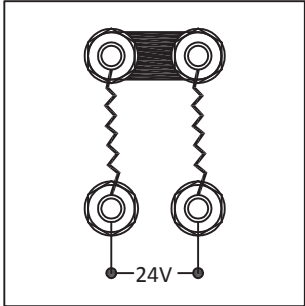
**Voltage:** 12 or 24V DC or AC.

**Attention:** Switching by a thermostatic device the heating elements in low voltage must be made by device designed for low voltage use, and withstanding the important intensity of these circuits. Similarly, the section of the power cables must be adapted.

## Renewable energy immersion heaters (addition to catalogue 22)


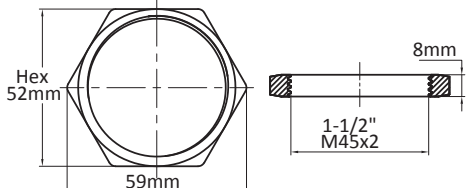
Intensity flowing in low voltage heating circuits			
Voltage	Power		
	150W	300W	600W
12V	12.5A	25A	50A
24V	6.2A	12.5A	25A

### Electric Wiring

	
Straps position in 12V	Straps position in 24V

### Main references

Fitting thread	1"1/2 BSPP		M45 x 2	
	2 x 150W 12V	2 x 300W 12V	2 x 150W 12V	2 x 300W 12V
Power	2 x 150W 12V	2 x 300W 12V	2 x 150W 12V	2 x 300W 12V
Length (mm)	170	170	170	170
Surface load of 12/24V heating elements	3 W/cm <sup>2</sup>	6 W/cm <sup>2</sup>	3 W/cm <sup>2</sup>	6 W/cm <sup>2</sup>
Reference in AISI 304	9SFT200152300217	9SFT200302600217	9SFT500152300217	9SFT500302600217
Reference in Incolloy 800	9SFT200152300K17	9SFT200302600K17	9SFT500152300K17	9SFT500302600K17

 	References of Brass Nuts	
	1"1/2	66NLC11280H52
	M45 X 2	66NLM45280H52

Because of permanent improvement of our products, drawings, descriptions, features used on these data sheets are for guidance only and can be modified without prior advice